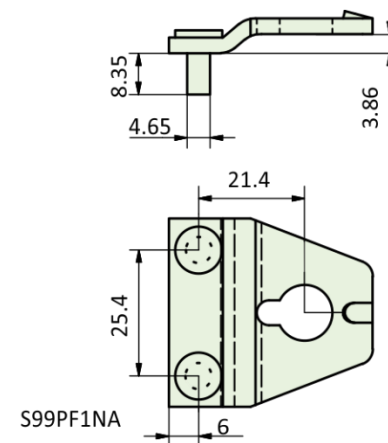
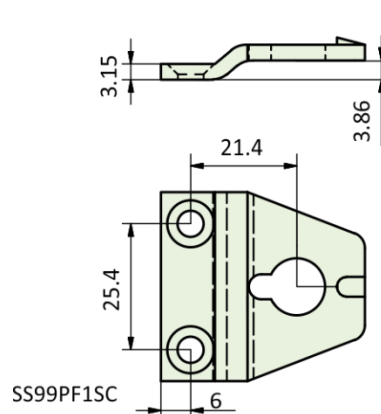


## PRODUCT FEATURES & TECHNICAL INFORMATION

- A 2 hole backplate which can be used with our standard cockspur handles replacing the standard 4 hole backplate
- Often used for older windows with a 1" centre hole makes this an excellent fit when doing renovation work
- SS99PF1 is available in several finish for a suited look and fits to window using suitable M5 countersunk screws
- S99PF1NA features 2 Fixing rivets, requires suitable finish to be applied

### 2- Hole Backplate



SS99PF1

S99PF1NA