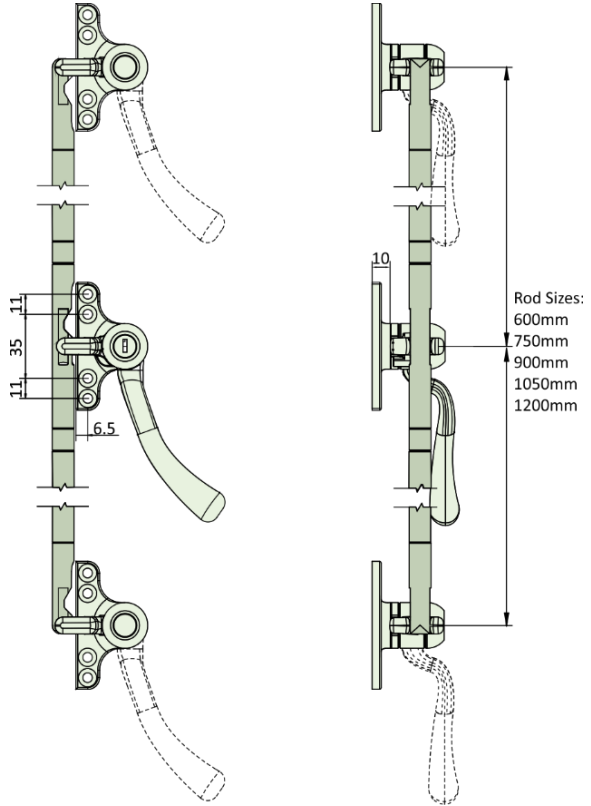


PRODUCT FEATURES & TECHNICAL INFORMATION

- A Triplex window handle that gives 3 locking points operated from a single handle, use with B646 connecting rods available in 5 sizes
- Often used for windows above 1800mm or where access to a single cockspur handle becomes difficult
- The handle can be positioned at the base of the window with 2 ‘nose’ locking points above or alternatively in the middle or at the top enabling multiple applications
- Non locking, inward opening and night variations available
- Suites with the standard range of window handle and Duplex handles
- Backplate can be replaced with a 2-hole version (screw or rivet)
- Suitable for M5 countersunk fixing screws
- Available in several finishes or matching RAL finish on request
- Complimentary B375 pegstay available in 2 sizes for standard window opening
- Complimentary door handles and escutcheons available for suited look

B205 Scroll Classic Handle Triplex 4-Hole Backplate



Dimensions Outward Opening 4 hole Backplate



B646NOSE & 2 Connectors

B205K09FTR – Key Locking with Connector