



PRODUCT FEATURES & TECHNICAL INFORMATION

- Traditionally fitted on steel windows, however can also be fitted on timber frame (when used with timber frame accessories)
- Night Vent operation integrated
- Backplate can be replaced with a 2-hole version (screw or rivet)
- Available as Duplex and Triplex window system
- Suitable for M5 countersunk fixing screws
- Available in several finishes or matching RAL finish on request
- Complimentary B375 design pegstay available in 2 sizes
- Complimentary door handles and escutcheons available for suited look

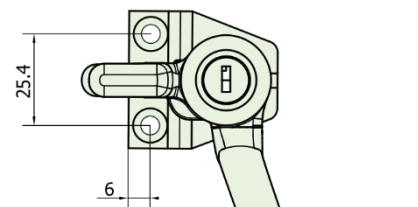
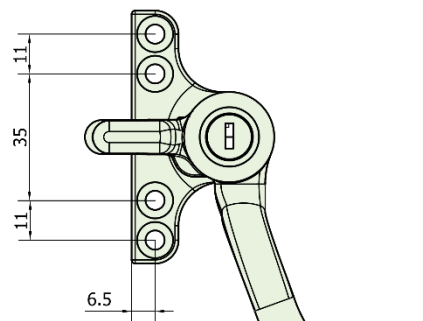
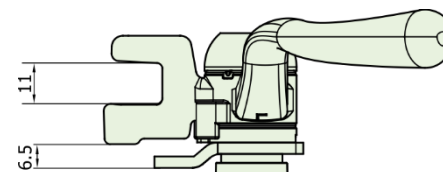
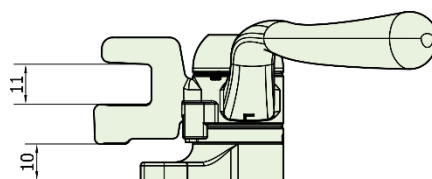
B205 Scroll Classic Handle 4-Hole Backplate



B205N09 – Non Locking

B205K09 – Key Locking

Steel Window Fittings / Window Handles / B205



4-Hole Backplate Dimensions

2-Hole Backplate Dimensions