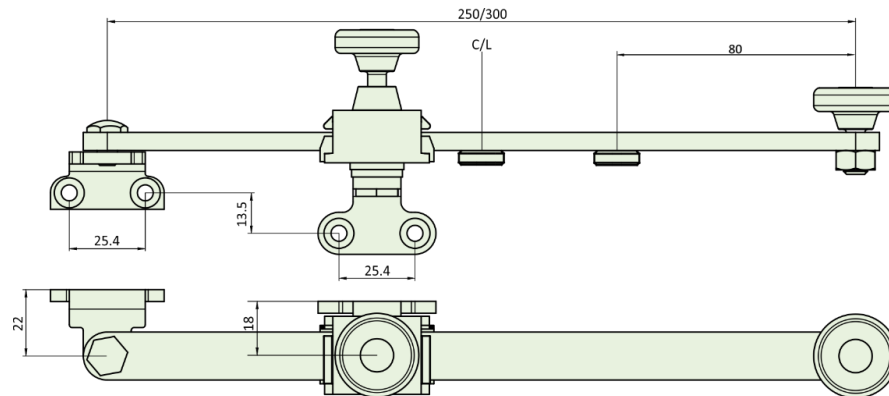


PRODUCT FEATURES & TECHNICAL INFORMATION

- Classic and elegant single arm slide stay
- Knurled knob secures the stay and window in any desired position
- Restrictor device for added security & safety with different positions available
- Available in 2 sizes 250 and 300
- Brackets supplied for standard side hung outward opening applications
For inward opening or top hung windows please contact us to discuss configuration options
- Suitable for M5 countersunk fixing screws
- Available in several finishes or matching RAL finish on request
- Complimentary window handle designs available
- Complimentary door handles and escutcheons available for suited look

B59S Classic Single Arm Slide Stay with Knob



Dimensions