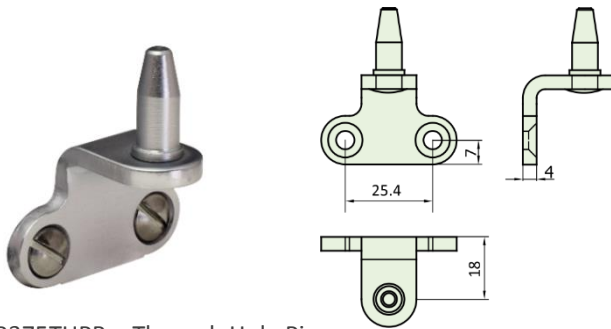


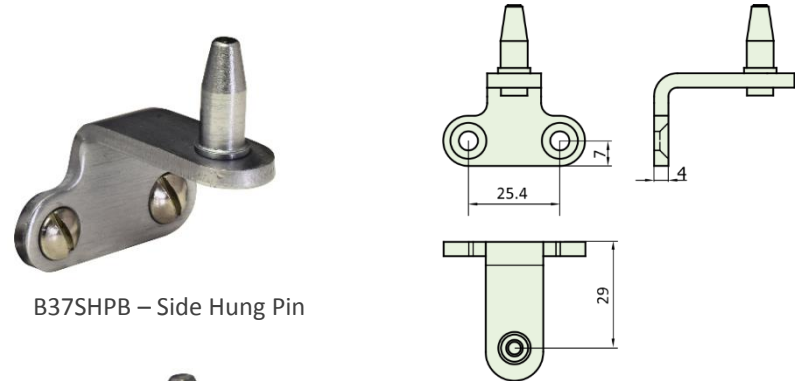
PRODUCT FEATURES & TECHNICAL INFORMATION

- Use with B375, B395 and B400 series of pegstays
- B375THPB is used to hold the window securely open in desired position, when the window is closed, it is held tightly shut
- B375LTHPB performs in the same way as B375THPB however enhances security by acting as a locking point as the peg stay is released with a key
- B375THPS is used to hold the window securely open in desired position, when window is closed, it is held tightly shut
- B375SHPB can be used for side hung windows where compression is not required to hold window tightly shut in closed position
- Easy fixing allows various set up for pegstay configurations to suit application
- Suitable for M5 countersunk fixing screws
- Available in several finishes or matching RAL finish on request

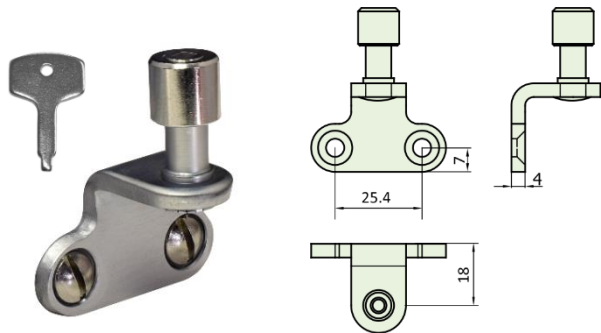
B375 Peg Stay Pins



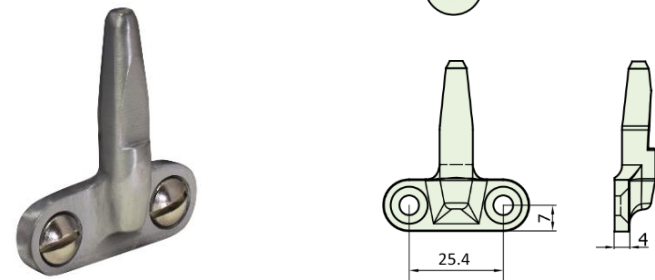
B375THPB – Through Hole Pin



B375SHPB – Side Hung Pin



B375LTHPB - Locking Through Hole Pin



B375THPS – Back of Stay Pin