

swf

STEEL WINDOW FITTINGS

B85CKN Conversion Kit Instructions



1.



2.



3.



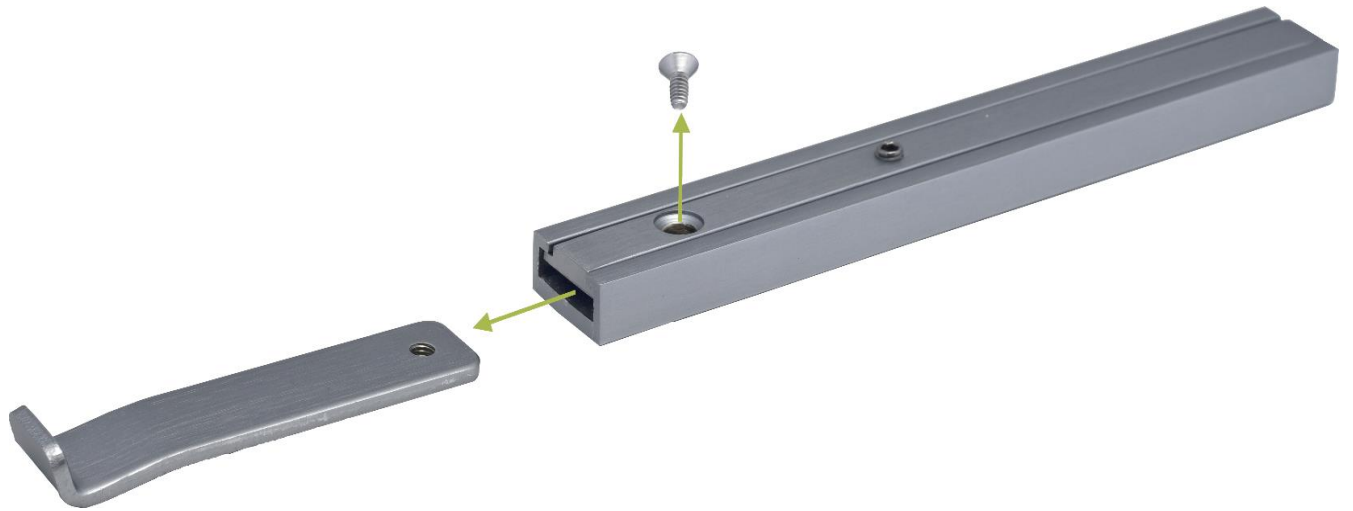
The B85CKN conversion kit allows you to modify ALL sizes of concealed bolt to include an easy-to-use knob.

Within the kit, you will receive:

1. Knob
2. Square plate
3. Wedge

The B85CKN conversion kit can be fitted to the B85C and B85CG bolt in 150mm, 300mm and 450mm along with extensions that are purchased separately.

1. Remove the M4 Screw from the concealed bolt and disengage the pull.



2. Use a 5mm drill bit to open the hole and allow for fitting of the knob



swf

STEEL WINDOW FITTINGS

✉ Info@steelwindowfittings.com

☎ +44 (0)1952 794154
+44 (0)1952 794054

3. Insert the square plate into the space where the pull originally sat. make sure the hole marries up with the bolt hole.



4. Screw the knob into the hole and the conversion is complete!



swf

STEEL WINDOW FITTINGS

✉ Info@steelwindowfittings.com

☎ +44 (0)1952 794154
+44 (0)1952 794054

5.

A wedge is included in the conversion kit, but the kit is useable along with other stocked wedge accessories.



swf

STEEL WINDOW FITTINGS

✉ Info@steelwindowfittings.com

☎ +44 (0)1952 794154
+44 (0)1952 794054