



PRODUCT FEATURES & TECHNICAL INFORMATION

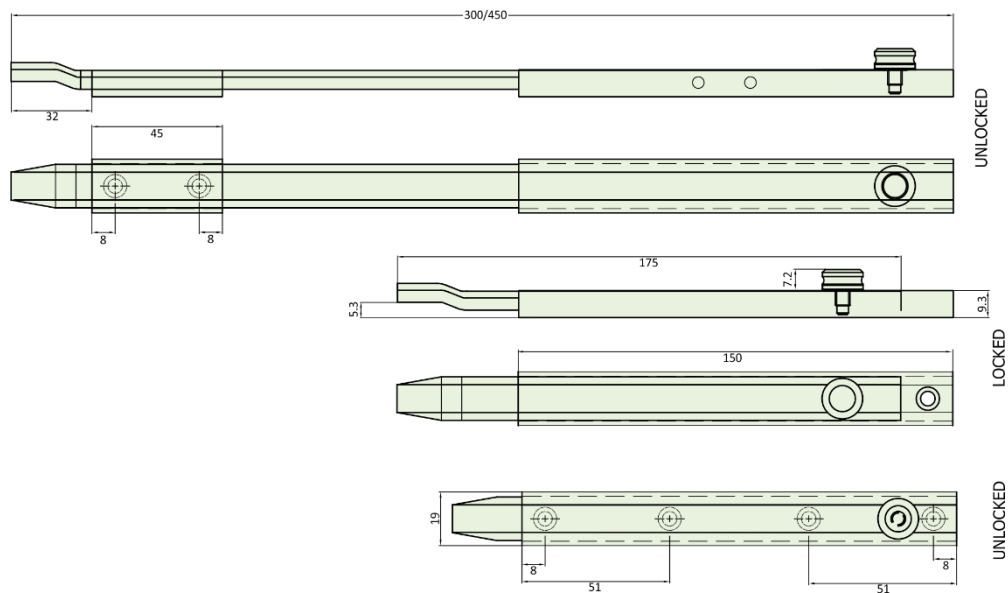
- Slim-line bolt which fits neatly on application
- For use on windows and doors
- Available in 3 sizes 150mm, 300mm and 450mm
- Key allows locking option for added security or can be used without locking feature
- Accessories include locking key, wedge and M4 fixing screws
- B85PLT floor mounted keep can be ordered separately, mounts flush to the floor where a door threshold is not used
- Available in several finishes or matching RAL finish on request
- Complimentary window handles, pegstays, door handles and escutcheons available for suited look

B85F Face Mounted Slim Line Long Key Lockable Bolt



B85F Bolt & Accessories

Steel Window Fittings / Bolts/B85F



Dimensions