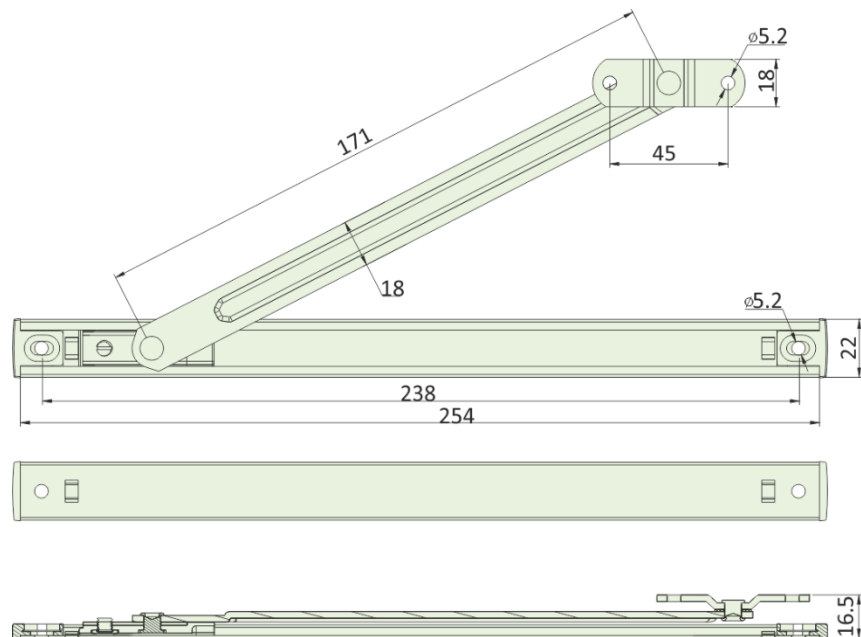


SS178NA



PRODUCT FEATURES & TECHNICAL INFORMATION

- A stainless Steel restrictor which features adjustable friction.
- Can be used to reduce the opening of windows and/or add friction to the window by adjusting the friction screw
- For use on both Side Hung and Top Hung windows
- Suitable for systems which have internal dimension between fixed and moving frame greater than 16.5mm
- Restrictors sold as single items and non-handed
- Suitable for M5 countersunk fixing screws



Dimensions