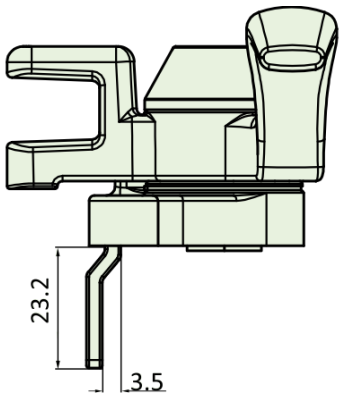


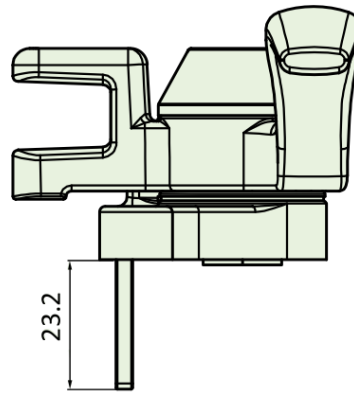
PRODUCT FEATURES & TECHNICAL INFORMATION

- Variety of drive blades enables compatibility with many window systems
- 3 Drive blade options are available, these can be fitted to all our of Multipoint Handles
- All Handles are supplied with STANDARD Drive Blade as shown unless specified at time of order

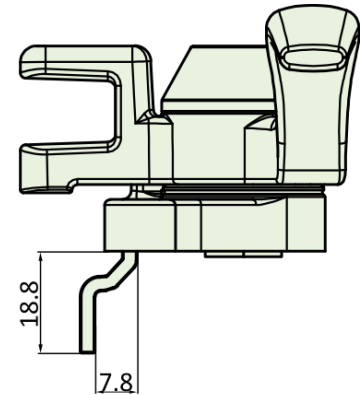
Multipoint Drive Blade Options



STANDARD Drive Blade



STRAIGHT Drive Blade



CRANK Drive Blade