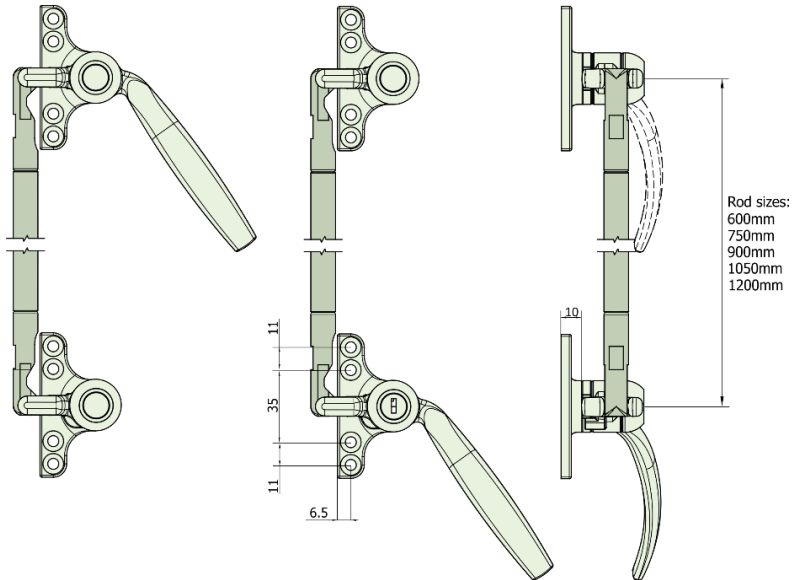


# PRODUCT FEATURES & TECHNICAL INFORMATION

- A Duplex window handle that gives 2 locking points operated from the single handle, use with B646 connecting rods available in 5 sizes.
- Often used for windows above 1300mm or where access to a single cockspur handle becomes difficult
- Non locking, inward opening and night vent variations available
- Suites with the standard range of window handle and Triplex handles
- Backplate can be replaced with a 2 hole version (screw or rivet)
- Suitable for M5 countersunk fixing screws
- Available in several finishes or matching RAL finish on request
- Complimentary B375 pegstay available in 2 sizes for standard window opening
- Complimentary door handles and escutcheons available for suited look

## B158 Curved Classic Handle Duplex 4-Hole Backplate



Dimensions Outward Opening 4 hole Backplate



B646NOSE & Connector

B158K09FDU – Key Locking with Connector