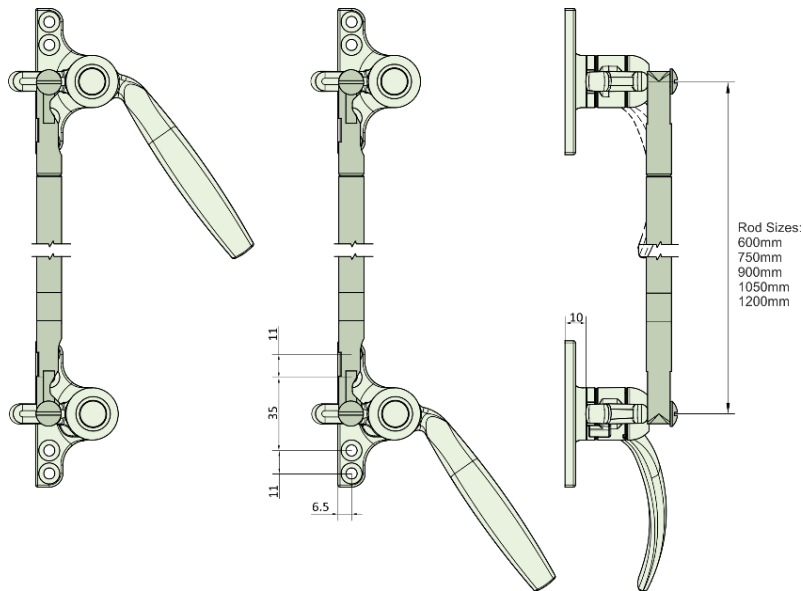


## PRODUCT FEATURES & TECHNICAL INFORMATION

- A Duplex window handle that gives 2 locking points operated from the single handle, use with B646 connecting rods available in 5 sizes.
- Use for inward opening windows above 1300mm or where access to a single cockspur handle becomes difficult and/or when night vent option required
- Non locking and outward opening variations available
- Suites with the standard range of window handle and Triplex handles
- Backplate can be replaced with a 2-hole version (screw or rivet)
- Suitable for M5 countersunk fixing screws
- Available in several finishes or matching RAL finish on request
- Complimentary B375 pegstay available in 2 sizes for standard window opening
- Complimentary door handles and escutcheons available for suited look

### B158 Curved Classic Handle Duplex 4-Hole Backplate Night Vent Facility



Dimensions Inward Opening 4 hole Backplate

Steel Window Fittings / Window Handles /B158/Duplex/OI



B646NOSEOI & Connector

Page XX

B158K09FDUOI – Key Locking with Connector

2019 V1