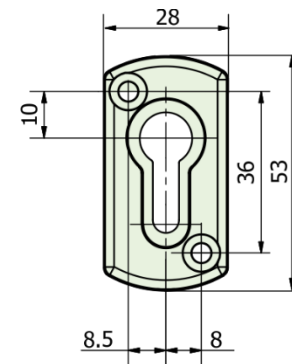
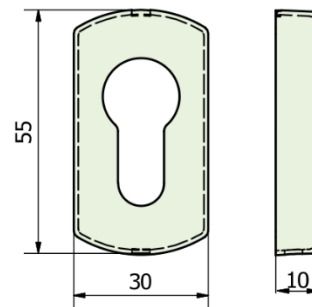
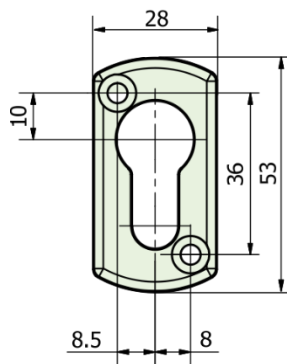


PRODUCT FEATURES & TECHNICAL INFORMATION

- Suites with our B850, B860 and B870 Door Handles.
- B851 for use with a euro cylinder lock.
- B852 for use with a key operated lock.
- Additional cover supplied with both escutcheons, enables you to either have screws visible for traditional appearance or concealed for contemporary look.
- Suitable for M4 countersunk fixing screws.
- Available in several finishes or matching RAL finish on request.
- Complimentary window furniture available for suited look.

B851 and B852 Escutcheons



B851 Euro

B852 Key Hole

B851 Dimensions

Cover Dimensions

B852 Dimensions