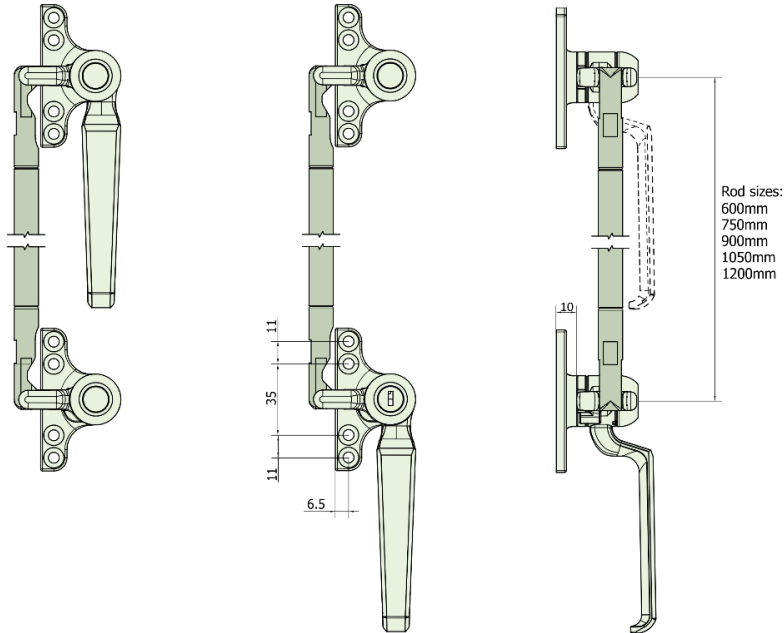


## PRODUCT FEATURES & TECHNICAL INFORMATION

- A Duplex window handle that gives 2 locking points operated from the single handle, use with B646 connecting rods available in 5 sizes.
- Use for outward opening windows above 1300mm or where access to a single cockspur handle becomes difficult
- Non locking, Inward opening and night vent variations available
- Suites with the standard range of window handle and Triplex handles
- Backplate can be replaced with a 2-hole version (screw or rivet)
- Suitable for M5 countersunk fixing screws
- Available in several finishes or matching RAL finish on request
- Complimentary B395 pegstay available in 3 sizes for standard window opening
- Complimentary door handles and escutcheons available for suited look

### B195 Straight Classic Handle Duplex 4-Hole Backplate



Dimensions Outward Opening 4-Hole Backplate  
Steel Window Fittings / Window Handles /B195/Duplex



B646NOSE & Connector  
Page XX

B195K09FDU – Key Locking with Connector  
2019 V1