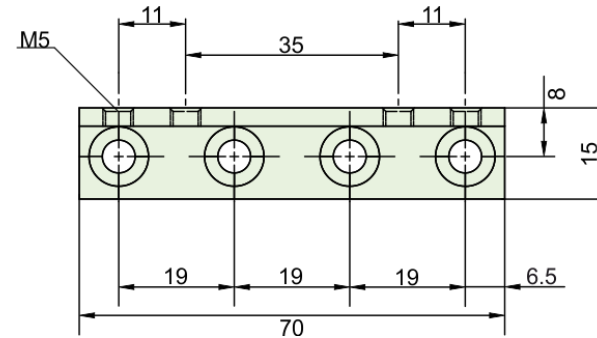
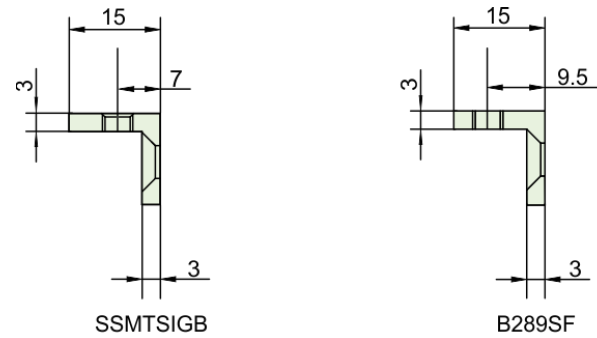


PRODUCT FEATURES & TECHNICAL INFORMATION

- Use for Inside Glaze applications
- Fixing bracket allows any of our 4 hole backplate handles to be fitted as a 'side' fix configuration.
- B289SF handle offset 9.5mm
- SSMTSIGB handle offset 7.0mm
- Available in several finishes or matching RAL finish on request

Handle Accessories - Inside Glaze Brackets



Dimensions