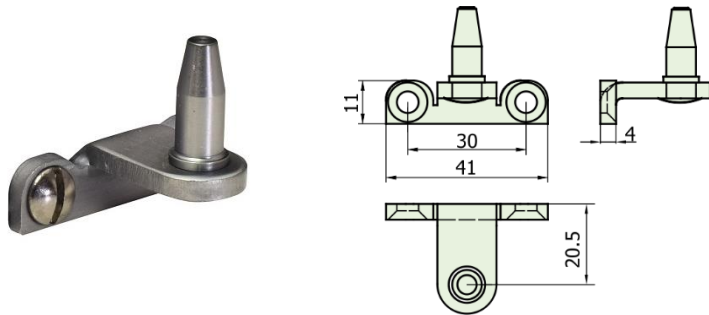


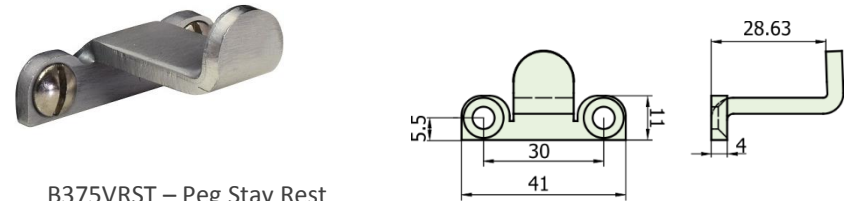
# PRODUCT FEATURES & TECHNICAL INFORMATION

- Use with B375, B395 and B400 series of pegstays
- V Brackets are fixed to the moving part of window
- B375VPB and/or B375VRST is used to hold the window tightly and securely closed when used with a B375 Pin Bracket.
- B375VRST can also be used simply as a rest for the peg stay
- B375VLPB performs in the same way as B375VPB however enhances security by acting as a locking point as the peg stay is released with a key
- B375SP is a 2mm spacer which can be used on all V peg stay brackets
- Easy fixing allows various set up for pegstay configurations to suit application
- Suitable for M5 countersunk fixing screws
- Available in several finishes or matching RAL finish on request

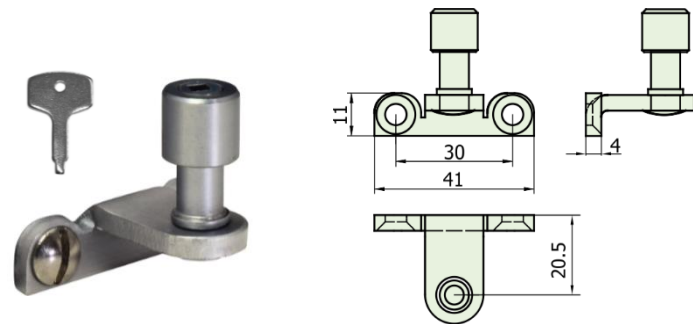
## B375 V Peg Stay Pins



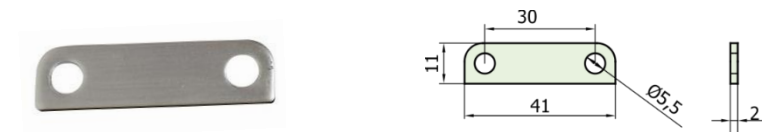
B375VPB – Through Hole Pin



B375VRST – Peg Stay Rest



B375VLPB – Locking Through Hole Pin



B375SP – Peg Stay Bracket Spacer