

## PRODUCT FEATURES & TECHNICAL INFORMATION

- A Multipoint handle which replicates the traditional appearance of a cockspur handle with a gear box drive blade for concealed multipoint rail systems
- Variety of drive blades enables compatibility with many window systems
- Screw cover caps are supplied for a contemporary look and colour fixing screws are available for a traditional appearance
- Available with drive blade removed for standard cockspur handle operation
- Suitable for M4 countersunk fixing screws
- Available in several finishes or matching RAL finish on request
- Complimentary B400 design pegstay available in 2 sizes
- Complimentary door handles and escutcheons available for suited look

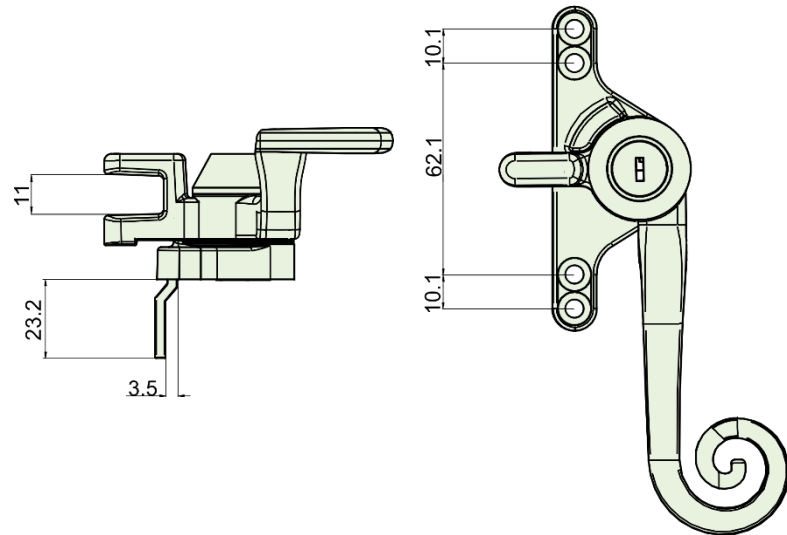
### MP400 Multipoint Monkey-Tail Classic Handle



MP400N12 – Non Locking

MP400K12- Key Locking

Steel Window Fittings / Window Handles /MP400



Dimensions with Standard Drive Blade